

3015



INTEGRATION

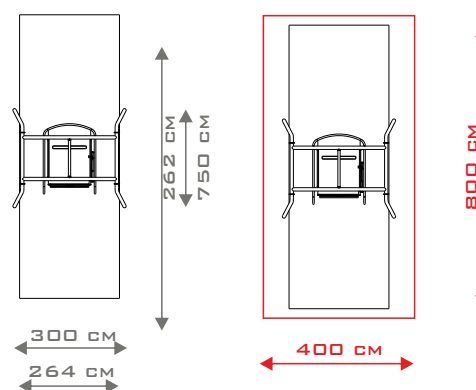


PRODUCT DESCRIPTION

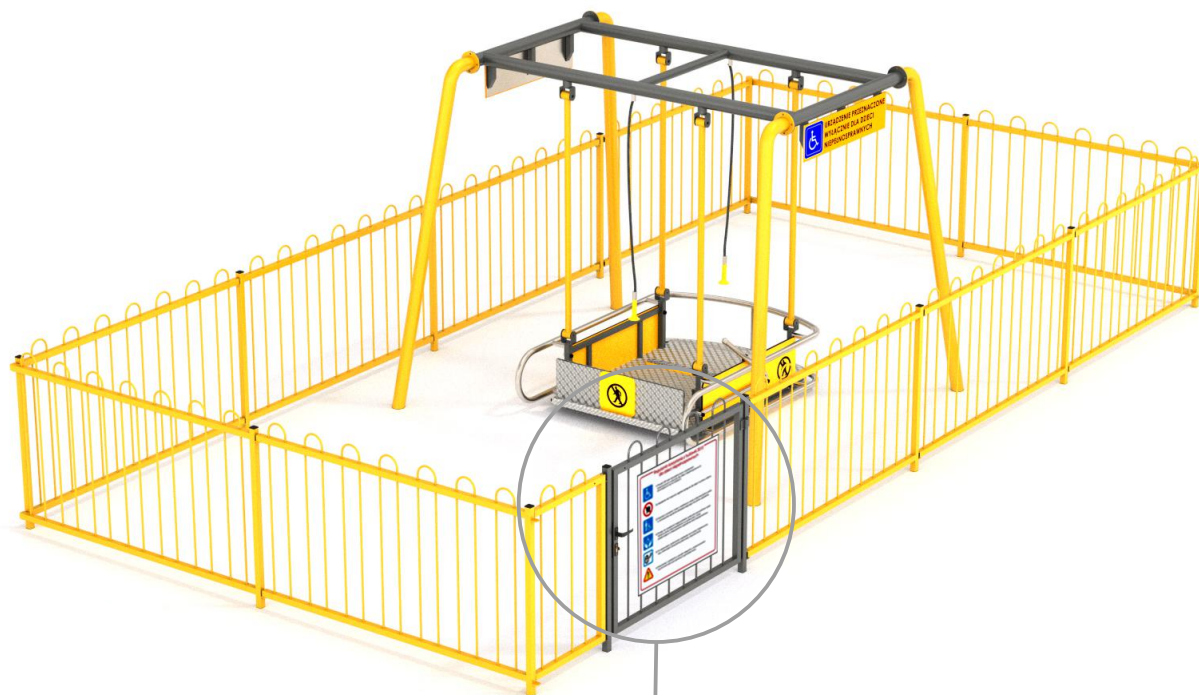
Dimensions: 300 x 262 cm
 Safety zone: 264 x 750 cm
 Dimensions of the fence: 400 x 800 cm
 Overall height: 240 cm
 Free fall height: 93 cm
 Product meets the following points
 of the norm EN 1176:2008 - 4.2.2, 4.2.4.6, 4.2.5,
 4.2.7.5, 4.2.7.6, 4.2.8.6, 4.2.10, 4.2.11, 4.2.14: YES
 Availability of spare parts: YES
 Age group: 3 - 12 years

SCALE 1:200

**DIMENSIONS
 OF THE FENCE**



3015



TERMS OF USE OF SWING 3015 DEDICATED TO DISABLED USERS



1) Product 3015 is a specialistic equipment dedicated solely to disabled children on wheelchairs.



2) The equipment cannot be fully accessible for all the children using the playground.



3) Only one person at a time can use the product, if assisted by another person securing the area around the equipment.



4) Only authorised persons who will take full responsibility for the user and other people staying in direct proximity of the impact area are allowed to have access to the equipment.



5) The equipment must be blocked after usage to prevent it from being used by unauthorized persons.



6) Using the equipment in a manner inconsistent with its purpose, without supervision of an authorized assistant, may result in disability.

