



ROBINIA PLAY



natural
playground





ROBINIA PLAY



The Robinia wood we deliver to your playground comes exclusively from European plantations. For the production we use wood with FSC certificates which guarantees that it has been harvested without compromising the biological richness and forest structure.



Robinia consists of a large amount of oils which are perfect natural preservatives and protect wood against putrefaction processes and pests.
Thanks to this protection, it retains its aesthetic and strength for many years.



Hard Robinia wood is a valuable building material that works perfectly for playground products.



ROBINIA PLAY

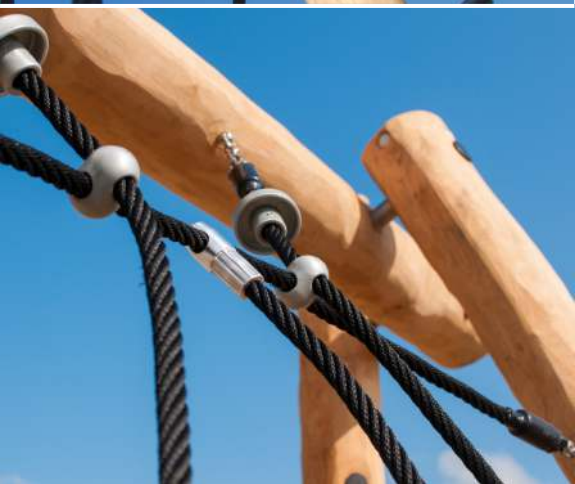


natural
playground

Play sets built of natural logs, thanks to their organic form, inspire children and perfectly fit into any surroundings. What is more, they are an unusual complement to a modern architecture.



it is easier than you thought



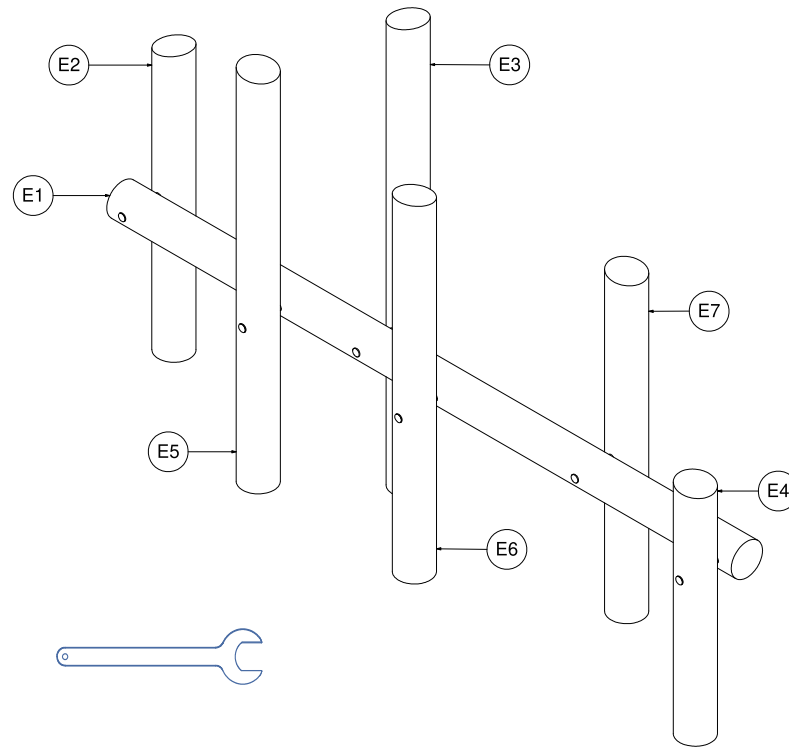
ROBINIA PLAY

We have developed detailed installation instructions to make sure the assembly of ROBINIA PLAY is not complicated and ready products are completely safe after installation.





it is easier than you thought



ROBINIA PLAY

To check the quality and compliance with all norms and safety standards we preassemble products in our factory before these are shipped to the installation site. Once this step is done, we disassemble devices, mark each connection and pack them carefully. This method of production makes the installation does not require specialist knowledge or tools.



To ensure longevity of our Robinia products, all connectors (screws, spacer sleeves, handles) are made exclusively of stainless steel.





All our beams' edges are protected against cracks caused by stresses in the wood.

abc PLAY

