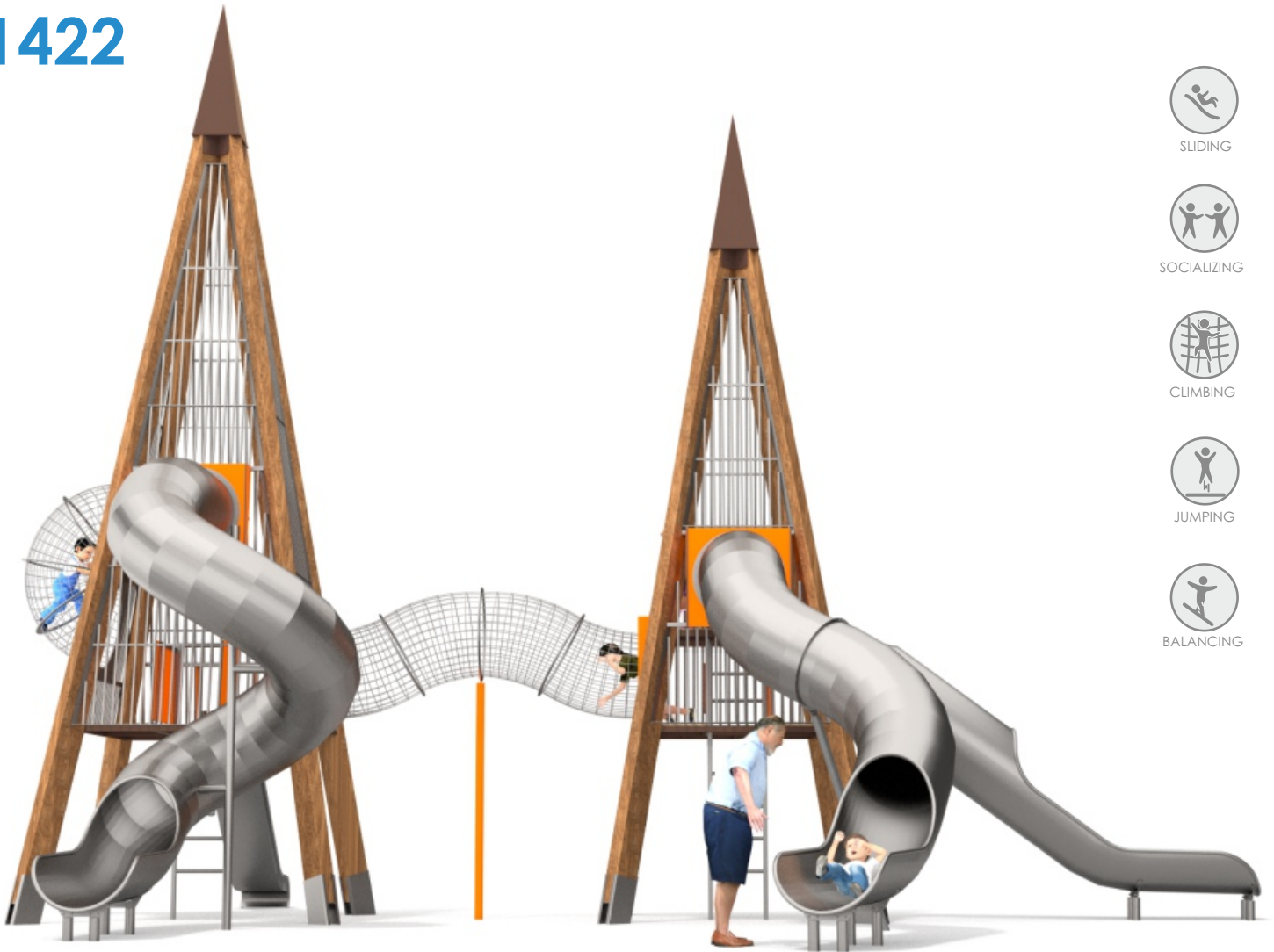


1422

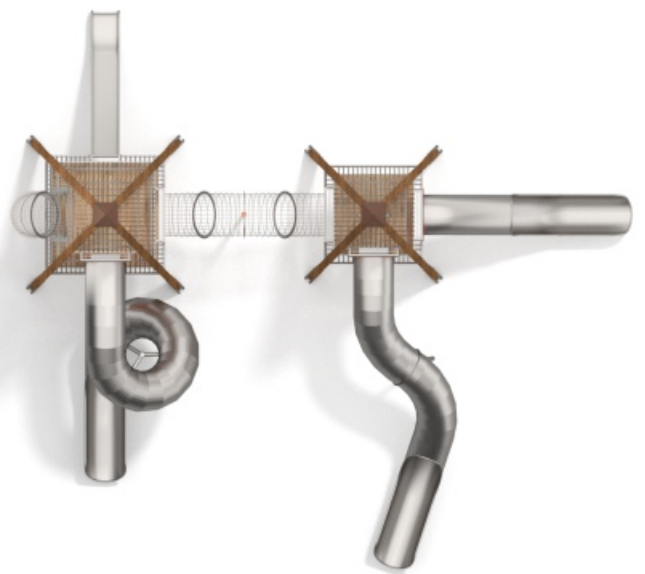
MEGA



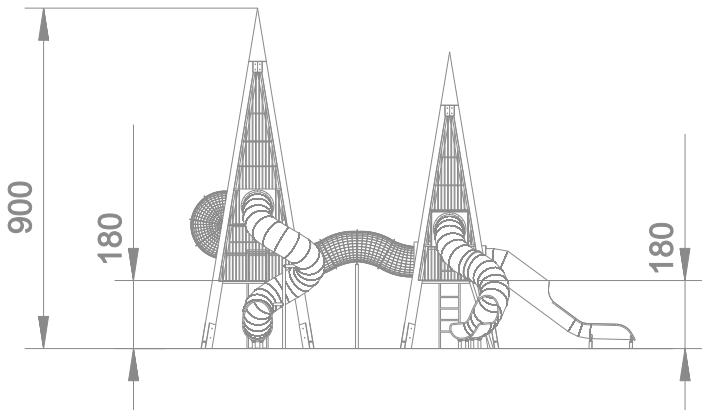
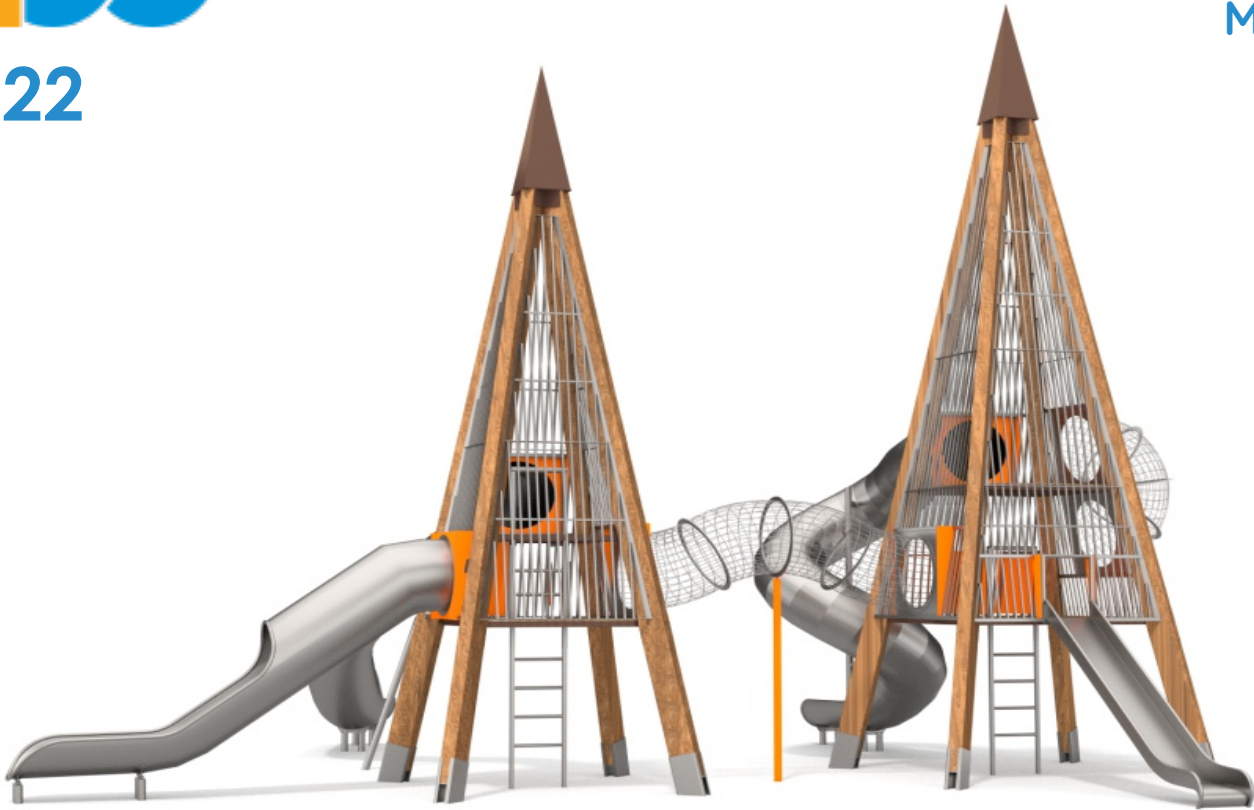
INFORMATION ABOUT THE PRODUCT

Dimensions	1179 x 1056 cm
Safety zone	1429 x 1365 cm
Safety zone area	101,55 m ²
Overall height	900 cm
Free fall height	189 cm
Amount of users	42
Product complies with EN 1176-1:2017-12	YES
Availability of spare parts	YES
Age range	3-12

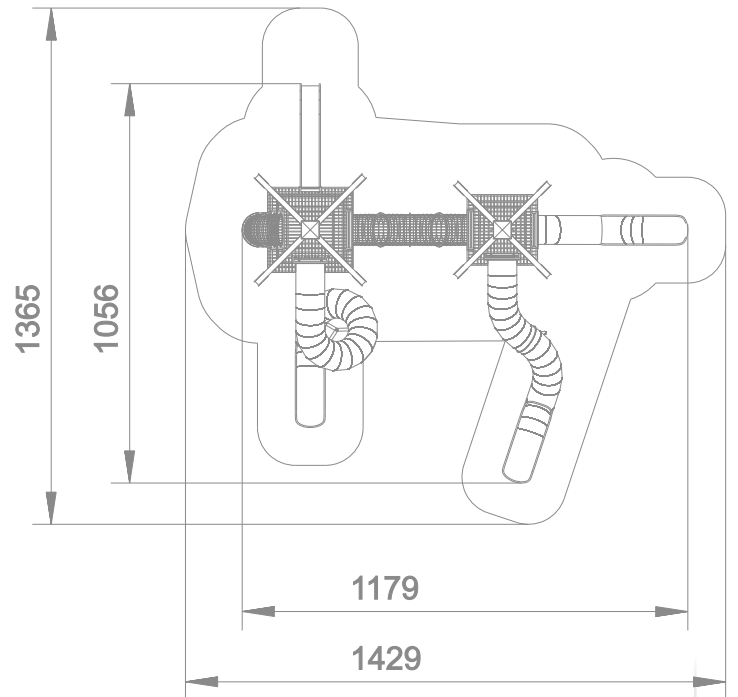
According to EN 1176-1:2017-12 norm, the product requires applying a safety surface according to the product's free fall height.



1422



skala 1:200



MATERIALS:

WOODEN CONSTRUCTION:
Conifer wood glued in layers with polyurethane glues. Wood posts processed in three-phased impregnation process.. Anchors powder galvanized.

Solid construction made of stainless steel AISI 304.

PANELS:
HDPE 15 MM

PLATFORM:
STEEL SHEET GALVANIZED AND COVERED WITH POWDER COATING PAINT + 13 MM HPL

ŚLIZG TUBOWY I OTWARTY ZE STALI NIERDZEWNEJ AISI304.

STRUCTURAL ELEMENTS:
made of black steel protected against corrosion by galvanizing and powder coating with polyester paint QUALICOAT attested.

