

1223



3-12
YEARS



SLIDE



SOCIALIZATION



SENSORY
INTEGRATION



JUMP



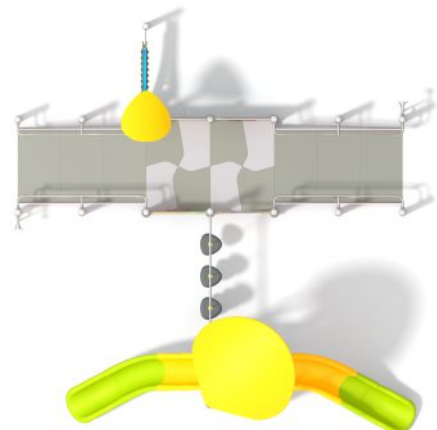
BALANCE



CLIMBING

INFORMATION ABOUT THE PRODUCT

Dimensions	707 x 692 cm
Impact area	1012 x 1040 cm (83 m ²)
Overall height	479 cm
Free fall height	150 cm
Product compliant with EN 1176-1:2017-12	YES
Availability of spare parts	YES



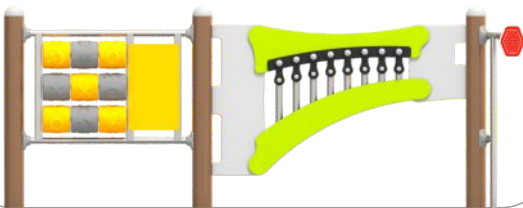
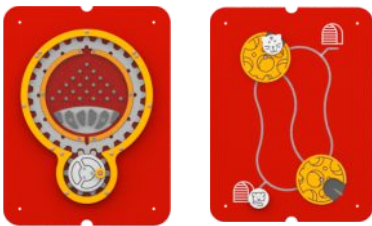
OCEAN BLUE



FRESH GREEN



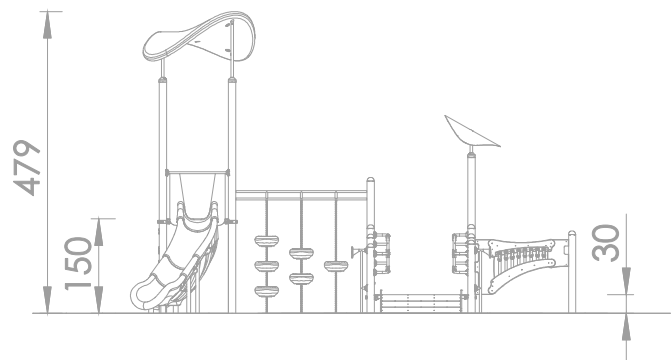
INTERACTIVE PANELS INCLUDED:



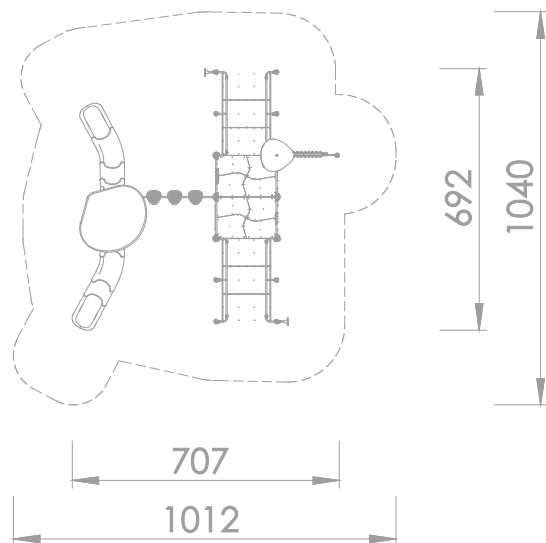
Due to the height of the free fall of the product, the EN 1176-1:2017 norm allows following types of fall- absorbing surfaces:

Material	Description	Minimal layer thickness mm
Bark	Shredded conifer bark, the size of pieces from 20 mm to 80 mm	300
Wood chips	Mechanically fragmented wood without bark and leaves, size of the pieces between 5 mm to 30 mm	300
Sand or gravel	Particle size between 0,25mm to 8mm	300
Synthetic material	Synthetic material with an approval for free fall heights \geq 1500 mm	

All types of surfaces need to be preserved by adding bulk material and removing extraneous matters. Broken glass is considered to be the most hazardous.



SCALE 1:120



SCALE 1:200