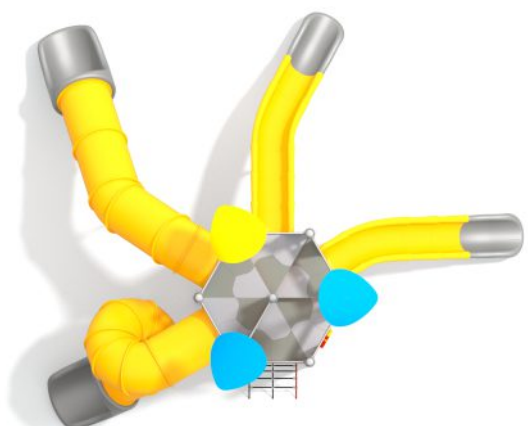


1217



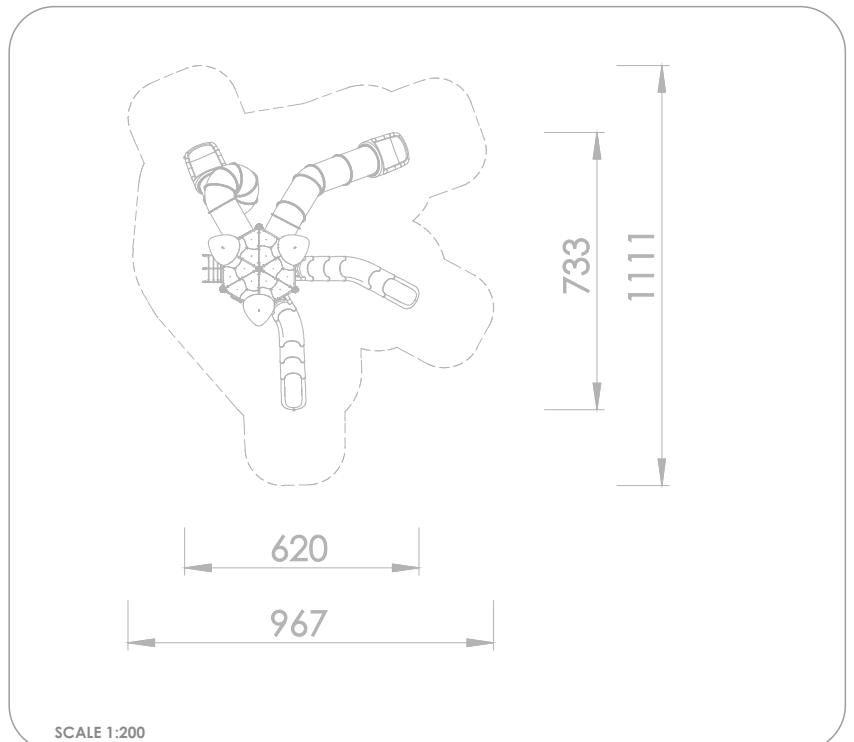
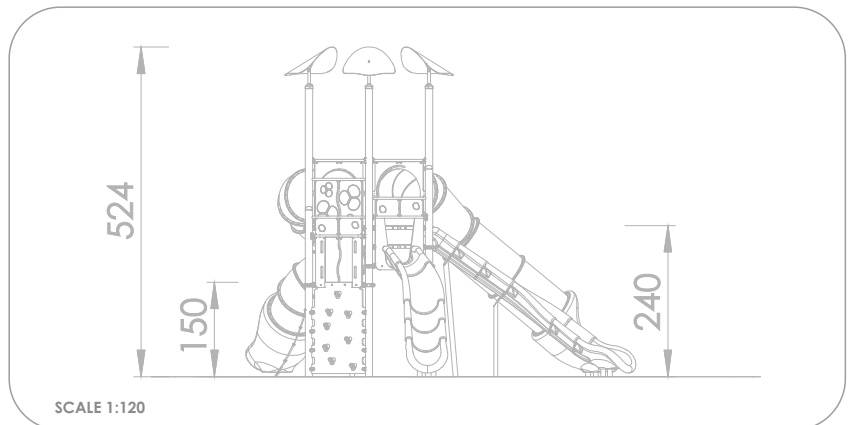
INFORMATION ABOUT THE PRODUCT

Dimensions	563 x 707 cm
Impact area	919 x 1111 cm (72m²)
Overall height	524 cm
Free fall height	240 cm
Product compliant with EN 1176-1:2017-12	YES
Availability of spare parts	YES



OCEAN BLUE

FRESH GREEN



Due to the height of the free fall of the product, the EN 1176-1:2017 norm allows following types of fall- absorbing surfaces:

Material	Description	Minimal layer thickness mm
Bark	Shredded conifer bark, the size of pieces from 20 mm to 80 mm	300
Wood chips	Mechanically fragmented wood without bark and leaves, size of the pieces between 5 mm to 30 mm	300
Sand or gravel	Particle size between 0,25mm to 8mm	300
Synthetic material	Synthetic material with an approval for free fall heights ≥ 2400 mm	

All types of surfaces need to be preserved by adding bulk material and removing extraneous matters. Broken glass is considered to be the most hazardous.